

Name: _____ Phone: _____

E-Mail: _____

Vehicle Information

Year: _____ Make: _____ Model: _____ Fuel Type: Diesel Gas

Truck Bed Information:

Chevy/GMC

- Short Bed (5.8 ft.)
- Standard Bed (6.6 ft.)
- Long Bed (8 Ft)

Dodge/Ram

- 5.7 ft.
- 6.7 ft.
- 8.2 ft.

Ford:

- 5.5 ft.
- 6.5 ft.
- 8 ft.

Other:

- Flat Bed
- Custom Bed: _____

Do you have a bed cover? No

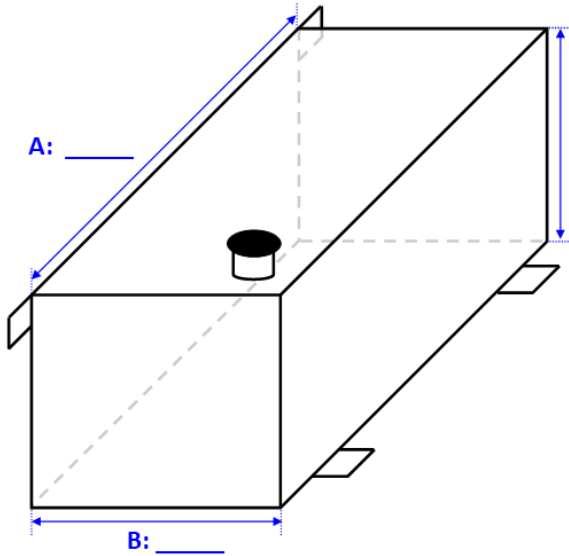
Yes

Exact Model: _____

Do you have a in bed hitch? No

Yes

Type of Hitch: _____



The filler is an additional 2" above dimension C

Other Notes: